

ACC

ACCESSORIES



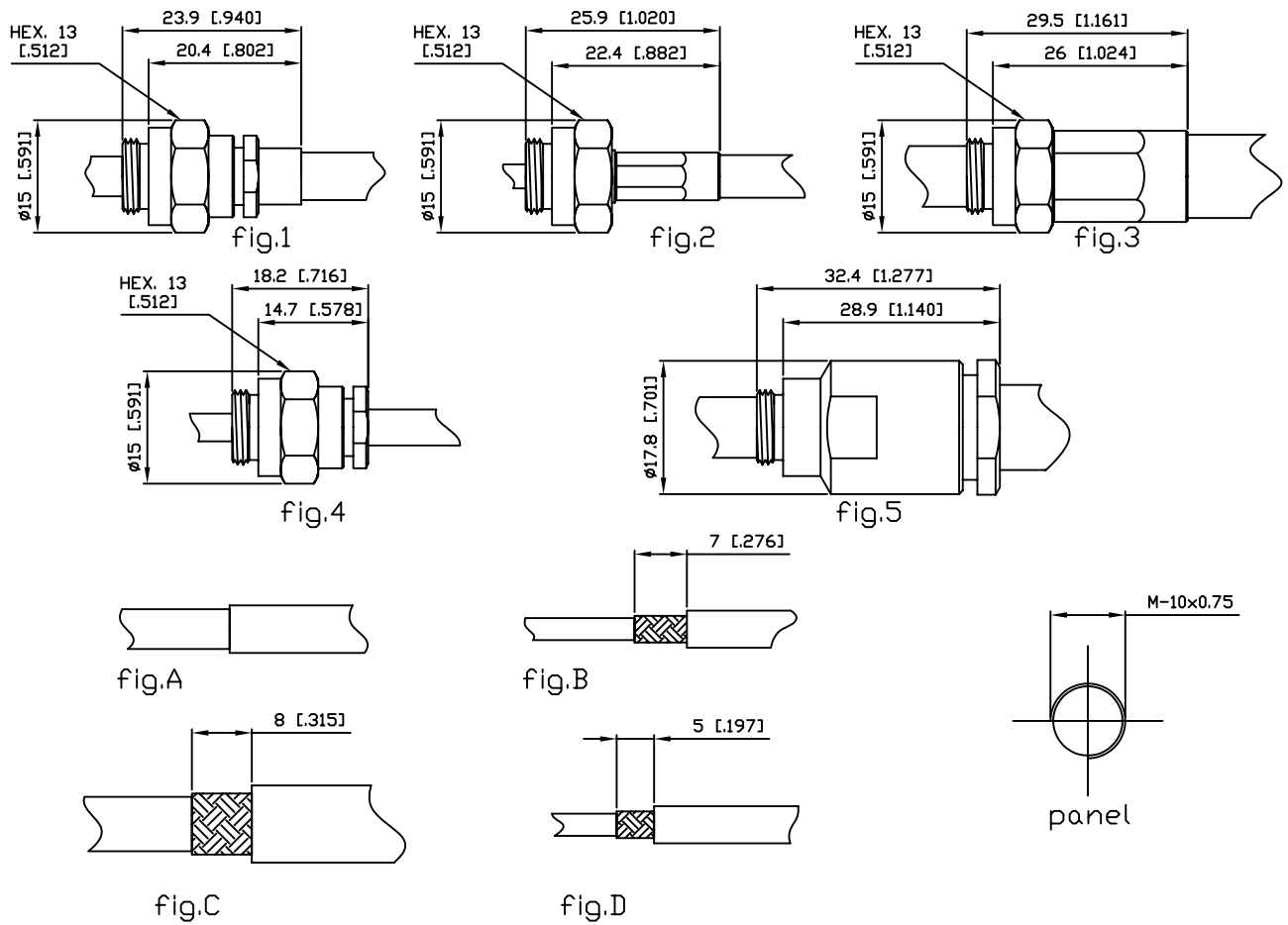
ÍNDICE

INDEX

CODE CÓDIGO	Pág.	CODE CÓDIGO	Pág.	CODE CÓDIGO	Pág.
A-ACC-61S50-00	4	A-ACC-FEM-1/2X22	11	A-ACC-TC-60	5
-61S103-00	4	-FEM-5/8X35	11	-TC-61	5
-62C50-50	3	-FEM-M2	11	-TC-61D	5
-62C50A-50	3	-FEM-M2,5	11	-TC-67	5
-62C54-50	3	-FEM-M3	11	-TC-68	5
-62C61D-50	3	-FEM-M3,5	11	-TC-74	5
-62C99-50	3	-FEM-4	11	-TC-84	5
-62C101-50	3	-MC-36-NG	7	-TC-88	5
-62C103-50	3	-MC-50-BL	7	-TC-99	5
-62C103D-50	3	-MC-50-BU	7	-TC-101	5
-62C108-50	3	-MC-50-GC	7	-TC-102	5
-62C109-50	3	-MC-50-NG	7	-TC-103	5
-62P50-50	3	-MC-50-RG	7	-TC-103A	5
-62P50A-50	3	-MC-50-VD	7	-TC-103D	5
-62P61D-50	3	-MC-61-BL	7	-TC-108	5
-62P101-50	3	-MC-61-BU	7	-TC-108A	5
-62P103-50	3	-MC-61-GC	7	-TC-109	5
-62P103D-50	3	-MC-61-NG	7	-TM-030	7
-62P108-50	3	-MC-61-RG	7	-TM-036	7
-62P109-50	3	-MC-61-VD	7	-TM-070	7
-62S22X-50	3	-PE-25-75	6	-TM-100	7
-62S36X-50	3	-PE-25-75-A	6	-TM-160	7
-62S63X-50	3	-PE-25A-50	6	V-ACC-KT-01	9
-ARG-064	8	-PE-25A-50-A	6	-KT-02	9
-ARG-105	8	-PE-26-50	6	-KT-03	9
-ARG-130	8	-PE-26-50-A	6	-KT-04	9
-ARG-170	8	-PE-26B-75	6		
-ARG-022-A	10	-PE-26B-75-A	6		
-ARG-027-A	10	-PE-50-50	6		
-ARG-032-A	10	-PE-50-50-A	6		
-ARG-037-A	10	-PE-50A-50	6		
-ARG-043-A	10	-PE-50A-50-A	6		
-ARP-064	10	-PE-59-75	6		
-ARP-094	10	-PE-59-75-A	6		
-ARP-160	10	-PE-60-75	6		
-CRG-2X3	11	-PE-60-75-A	6		
-CRG-2X4	11	-PE-61-75	6		
-CRG-2X5	11	-PE-61-75-A	6		
-CRG-2X6	11	-PE-61D-50	6		
-CRG-2X8	11	-PE-61D-50-A	6		
-CRG-2X10	11	-PE-101-50	6		
-CRG-2X12	11	-PE-102-75	6		
-CRG-2X15	11	-PE-103-50	6		
-CRG-2X18	11	-PE-103A-75	6		
-CRG-2X20	11	-PE-103D-50	6		
-CRG-2.5X3	11	-PE-108-50	6		
-CRG-2.5X4	11	-PE-108A-75	6		
-CRG-2.5X5	11	-PE-109-50	6		
-CRG-2.5X6	11	-PR-01	8		
-CRG-2.5X8	11	-PR-02	8		
-CRG-2.5X10	11	-SFF-M3X5	12		
-CRG-2.5X12	11	-SFF-M3X6	12		
-CRG-2.5X15	11	-SFF-M3X10	12		
-CRG-2.5X18	11	-SFF-M3X12	12		
-CRG-2.5X20	11	-SFF-M3X15	12		
-CRG-2.5X25	11	-SFF-M3X18	12		
-CRG-3X4	11	-SFF-M3X20	12		
-CRG-3X5	11	-SFF-M3X25	12		
-CRG-3X6	11	-SFF-M3X30	12		
-CRG-3X8	11	-SFF-M3X35	12		
-CRG-3X10	11	-SMF-M3X5	12		
-CRG-3X12	11	-SMF-M3X6	12		
-CRG-3X15	11	-SMF-M3X8	12		
-CRG-3X18	11	-SMF-M3X10	12		
-CRG-3X20	11	-SMF-M3X12	12		
-CRG-3X25	11	-SMF-M3X14	12		
-CRG-3X30	11	-SMF-M3X15	12		
-CRG-3.5X5	11	-SMF-M3X18	12		
-CRG-3.5X6	11	-SMF-M3X20	12		
-CRG-3.5X8	11	-SMF-M3X22	12		
-CRG-3.5X10	11	-SMF-M3X25	12		
-CRG-3.5X12	11	-SMF-M3X30	12		
-CRG-3.5X15	11	-SMF-M3X35	12		
-CRG-3.5X18	11	-SMF-M3X40	12		
-CRG-3.5X20	11	-SMF-M3X45	12		
-CRG-3.5X25	11	-SMF-M3X50	12		
-CRG-3.5X30	11	-TC-16	5		
-CRG-3.5X35	11	-TC-18	5		
-CRG-4X5	11	-TC-25	5		
-CRG-4X6	11	-TC-25A	5		
-CRG-4X8	11	-TC-26	5		
-CRG-4X10	11	-TC-26B	5		
-CRG-4X12	11	-TC-27	5		
-CRG-4X15	11	-TC-31	5		
-CRG-4X18	11	-TC-35	5		
-CRG-4X20	11	-TC-36	5		
-CRG-4X25	11	-TC-45	5		
-CRG-4X30	11	-TC-47	5		
-CRG-4X35	11	-TC-50	5		
-CRG-4X40	11	-TC-50A	5		
-FEM-1/4X20	11	-TC-54	5		
-FEM-3/8X22	11	-TC-59	5		

Toma masa
pasa cables

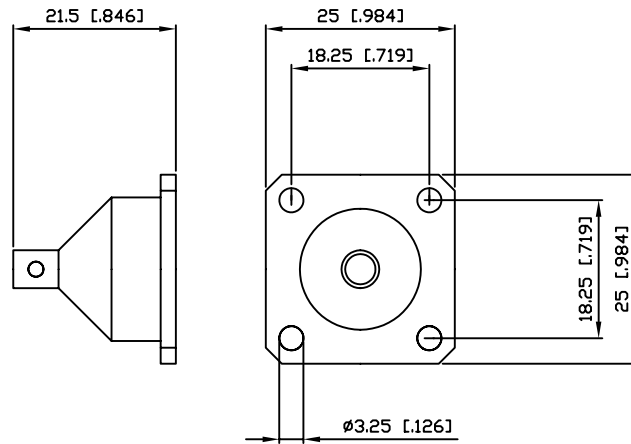
I/O terminal
Cable feed-throughs



CABLE	INSTRUC.	ALFA'R CODE	FIG.	CRIMPING TOOL
CABLE	INSTRUC.	CÓDIGO ALFA'R	FIG.	HERRAMIENTA CRIMP
UT-86	INS 06	A-ACC-62S22X-50	1	A
UT-141		A-ACC-62S36X-50		
UT-250; RG-401		A-ACC-62S63X-50		
RG-58; RG-141; RG-303	INS 11	A-ACC-62C50-50	2	B
	INS 14	A-ACC-62P50-50	4	D
RG-142; RG-400	INS 11	A-ACC-62C50A-50	2	B
	INS 14	A-ACC-62P50A-50	4	D
RG-223	INS 11	A-ACC-62C54-50	2	B
LMR-240		A-ACC-62C61D-50		
RG-393	INS 14	A-ACC-62P61D-50	4	D
RG-8		A-ACC-62C99-50		
RG-213	INS 11	A-ACC-62C101-50	3	A-EIN-C-2-D2
	INS 14	A-ACC-62P101-50		
LMR-400; RG-165	INS 11	A-ACC-62C103-50	3	A-EIN-C-2-D2
	INS 14	A-ACC-62P103-50		
RG-214	INS 11	A-ACC-62C103D-50	3	A-EIN-C-2-D2
	INS 14	A-ACC-62P103D-50		
RG-225	INS 11	A-ACC-62C108-50	3	A-EIN-C-2-D2
	INS 14	A-ACC-62P108-50		
RG-225	INS 11	A-ACC-62C109-50	3	A-EIN-C-2-D2
	INS 14	A-ACC-62P109-50		

blindaje

shield



CABLE

CABLE

RG-58; RG-141; RG-303

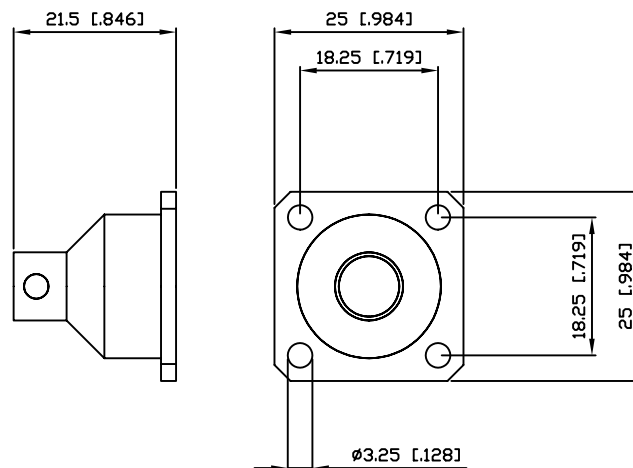
ALFA'R CODE

CÓDIGO ALFA'R

A-ACC-61S50-00

blindaje

shield



CABLE

CABLE

RG-165; RG-213; RG-11; RG-141

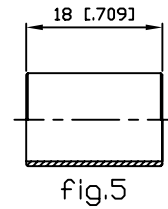
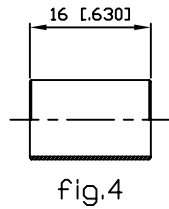
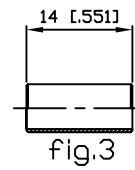
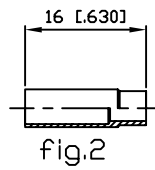
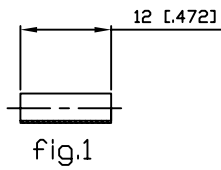
ALFA'R CODE

CÓDIGO ALFA'R

A-ACC-61S103-00

casquillo crimp

crimp ferrule



CABLE	ALFA'R CODE CÓDIGO ALFA'R	FIG.	CRIMPING TOOL HERRAMIENTA CRIMP
CABLE			
TX-20	A-ACC-TC-16	1	A-EIN-C-1-C61
RG-178; RG-196	A-ACC-TC-18		A-EIN-C-1-C62
RG-179	A-ACC-TC-25		A-EIN-C-1-641
RG-316	A-ACC-TC-25A		
RG-174; RG-188	A-ACC-TC-26		
RG-187	A-ACC-TC-26B		
FLEX-2	A-ACC-TC-27		
ST-212	A-ACC-TC-31	2	A-EIN-C-1-931
FLEX-3	A-ACC-TC-35		
BT-3002	A-ACC-TC-36	3	A-EIN-C-1-932
FLEX-4	A-ACC-TC-45		A-EIN-C-1-931
FLEX-5	A-ACC-TC-47		
RG-58; RG-141; RG-303	A-ACC-TC-50		
RG-142; RG-400	A-ACC-TC-50A		
RG-223	A-ACC-TC-54		
ST-214	A-ACC-TC-59		
FLEX-6	A-ACC-TC-60	4	
RG-59; Three Shield ø6.1	A-ACC-TC-61		
LMR-240	A-ACC-TC-61D		
TF-2240 (TFC-T10)	A-ACC-TC-67		
RG-6 CATV	A-ACC-TC-68		
FLEX-7	A-ACC-TC-74		
RG-6 MIL	A-ACC-TC-84		A-EIN-C-2-B1
1.0/6.6/8.8	A-ACC-TC-88		
RG-393	A-ACC-TC-99	5	A-EIN-C-2-D1
RG-8	A-ACC-TC-101		
CATV 14/8	A-ACC-TC-102		
RG-213	A-ACC-TC-103		
RG-11	A-ACC-TC-103A		
LMR-400; RG-165	A-ACC-TC-103D		
RG-214	A-ACC-TC-108		
RG-216	A-ACC-TC-108A		
RG-225	A-ACC-TC-109		

conjunto prensaestopas

clamp kit

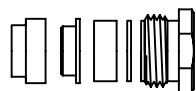


fig.1

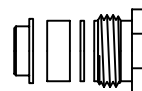
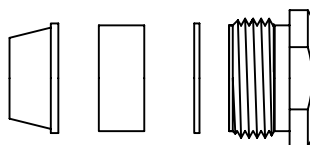


fig.2

CABLE	ALFA`R CODE	FIG.
CABLE	CÓDIGO ALFA`R	FIG.
RG-179	A-ACC-PE-25-75	1
RG-316	A-ACC-PE-25A-50	
RG-174; RG-188	A-ACC-PE-26-50	
RG-187	A-ACC-PE-26B-75	
RG-58; RG-141; RG-303	A-ACC-PE-50-50	
RG-142; RG-400	A-ACC-PE-50A-50	
ST-214	A-ACC-PE-59-75	
FLEX-6	A-ACC-PE-60-75	
RG-59; Three Shield ø6.1	A-ACC-PE-61-75	
LMR-240	A-ACC-PE-61D-50	
RG-179	A-ACC-PE-25-75-A	2
RG-316	A-ACC-PE-25A-50-A	
RG-174; RG-188	A-ACC-PE-26-50-A	
RG-187	A-ACC-PE-26B-75-A	
RG-58; RG-141; RG-303	A-ACC-PE-50-50-A	
RG-142; RG-400	A-ACC-PE-50A-50-A	
ST-214	A-ACC-PE-59-75-A	
FLEX-6	A-ACC-PE-60-75-A	
RG-59; Three Shield ø6.1	A-ACC-PE-61-75-A	
LMR-240	A-ACC-PE-61D-50-A	

conjunto prensaestopas

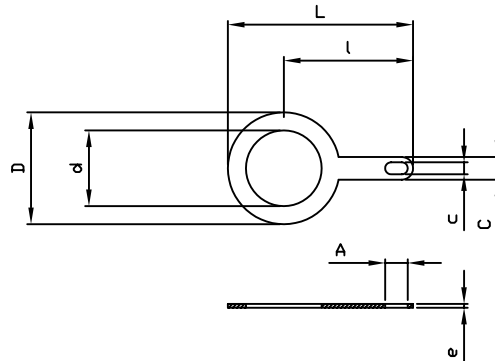
clamp kit



CABLE	ALFA`R CODE
CABLE	CÓDIGO ALFA`R
RG-8	A-ACC-PE-101-50
CATV 14/8	A-ACC-PE-102-75
RG-213	A-ACC-PE-103-50
RG-11	A-ACC-PE-103A-75
LMR-400; RG-165	A-ACC-PE-103D-50
RG-214	A-ACC-PE-108-50
RG-216	A-ACC-PE-108A-75
RG-225	A-ACC-PE-109-50

terminal soldable

solder tag



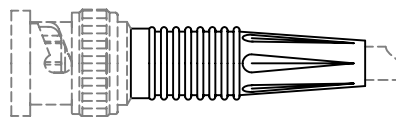
d	D	L	l	C	c	A	e	ALFA`R CODE CÓDIGO ALFA`R
3[.118]	4.25[.167]	10[.394]	8[.315]	3[.118]	0.5[.020]	2[.079]	0.3[.012]	A-ACC-TM-030
3.6[.142]	6[.236]	12.5[.492]	9.5[.374]		0.65[.026]	2.2[.087]		A-ACC-TM-036
7[.276]	10.4[.409]	17[.669]	11.75[.463]		0.7[.028]	3[.118]		A-ACC-TM-070
10[.394]	14.8[.583]	24.5[.965]	17.1[.673]		0.8[.031]		A-ACC-TM-100	
16[.630]	21[.827]	31[1.220]	20.5[.807]		1[.039]	4[.157]	0.5[.020]	A-ACC-TM-160

Protecciones

Protectors

protección cable
para conectores crimp

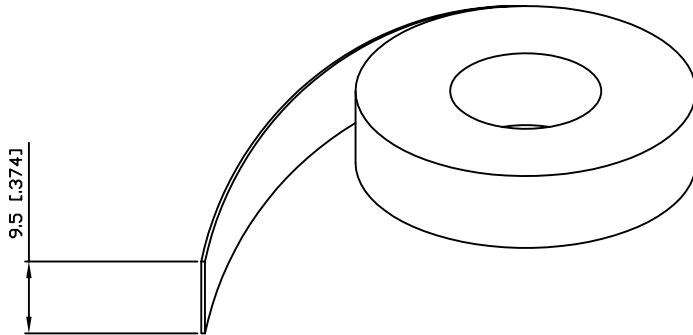
*taper sleeve
for crimp connectors*



CABLE GROUP GRUPO CABLE	COLOUR COLOR	ALFA`R CODE CÓDIGO ALFA`R
25,25A,26,26B,27,31,35,36	<i>black</i> negro	A-ACC-MC-36-NG
	<i>black</i> negro	A-ACC-MC-50-NG
	<i>red</i> rojo	A-ACC-MC-50-RG
45,47,50,50A	<i>green</i> verde	A-ACC-MC-50-VD
	<i>blue</i> azul	A-ACC-MC-50-BU
	<i>yellow</i> amarillo	A-ACC-MC-50-GC
	<i>white</i> blanco	A-ACC-MC-50-BL
	<i>black</i> negro	A-ACC-MC-61-NG
54,59,60,61,61D	<i>red</i> rojo	A-ACC-MC-61-RG
	<i>green</i> verde	A-ACC-MC-61-VD
	<i>blue</i> azul	A-ACC-MC-61-BU
	<i>yellow</i> amarillo	A-ACC-MC-61-GC
	<i>white</i> blanco	A-ACC-MC-61-BL

cinta vulcanizable negra

black vulcanized band

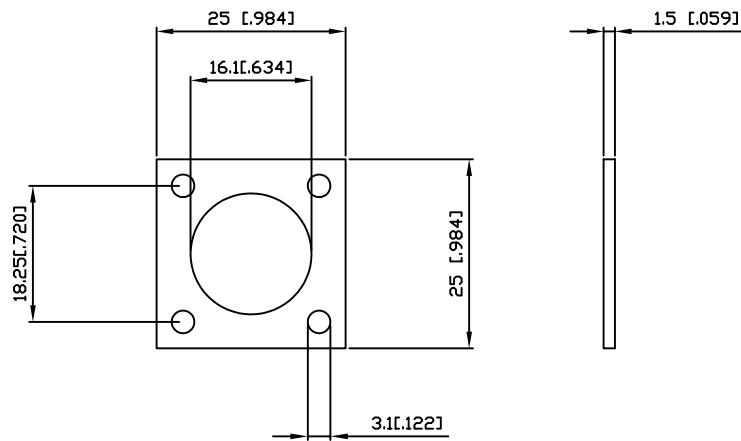


ALFA`R CODE
CÓDIGO ALFA`R

A-ACC-PR-01

junta de estanqueidad

waterproof gasket



MATERIAL
MATERIAL

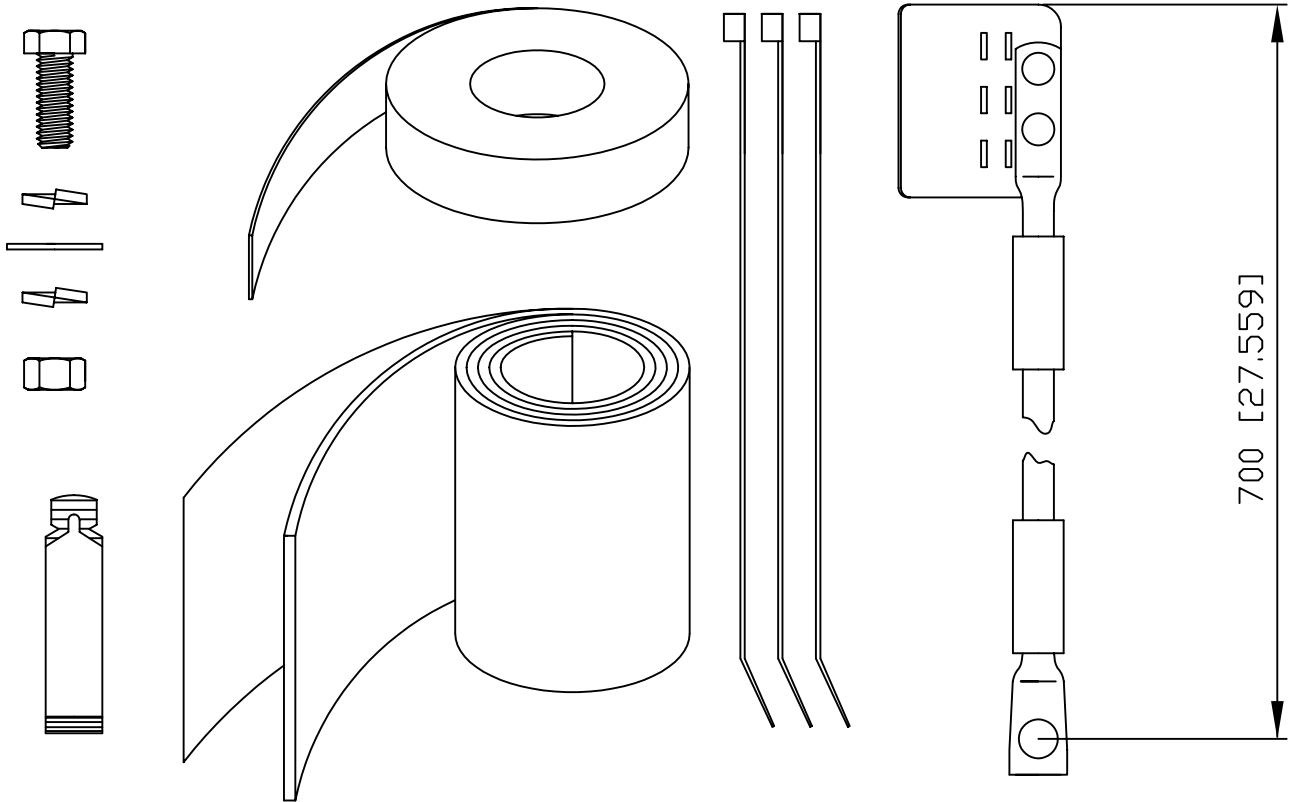
EPDM

ALFA`R CODE
CÓDIGO ALFA`R

A-ACC-PR-02

juego de conexión
(toma de tierra)

grounding kit



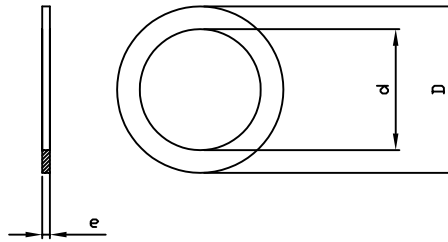
<i>CABLE</i>	<i>ALFA'R CODE</i>
CABLE	CÓDIGO ALFA'R
RG-213; RG-214	V-ACC-KT-02
CF 1/4" Cu2Y	V-ACC-KT-03
CF 1/2" Cu2Y	V-ACC-KT-01
CF 7/8" Cu2Y	V-ACC-KT-04

Arandelas

Washers

arandela plana

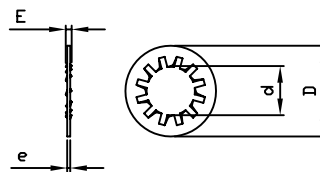
flat washer



\varnothing THREAD \varnothing ROSCA	d	D	e	ALFA'R CODE CÓDIGO ALFA'R	
1/4" UNS	6.4[.252]	10[.394]	0.7[.028]	A-ACC-ARP-064	
3/8" UNEF	9.7[.382]	13[.512]	1[.039]	A-ACC-ARP-094	
5/8" UNEF	16[.623]	22[.866]	1[.039]	A-ACC-ARP-160	

arandela dentada elástica
(DIN-6797)

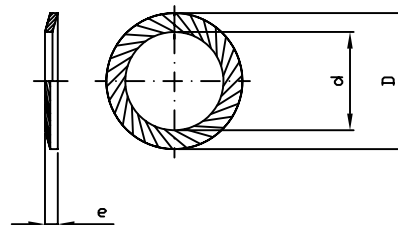
jagged elastic washer
(DIN-6797)



\varnothing THREAD \varnothing ROSCA	d	D	e	E	ALFA'R CODE CÓDIGO ALFA'R	NOTE NOTA
M-2	2.2[.087]	4.5[.177]	0.3[.012]	0.6[.024]	A-ACC-ARG-022-A	nickel-plated niquelado
M-2.5	2.7[.106]	5.5[.217]	0.4[.016]	0.8[.031]	A-ACC-ARG-027-A	
M-3	3.2[.126]	6[.236]			A-ACC-ARG-032-A	
M-3.5	3.7[.146]	7[.276]	0.5[.020]	0.5[.020]	A-ACC-ARG-037-A	
M-4	4.3[.169]	8[.315]			A-ACC-ARG-043-A	

arandela cónica de
seguridad (A.E.T.)

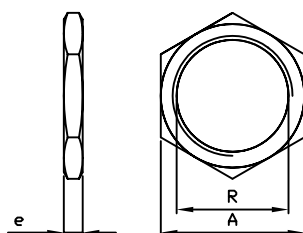
conical safety washer
(A.E.T.)



\varnothing THREAD \varnothing ROSCA	d	D	e	ALFA'R CODE CÓDIGO ALFA'R	
1/4" UNS	6.4[.252]	10[.394]	1.2[.047]	A-ACC-ARG-064	
3/8" UNEF	10.5[.413]	16[.630]	1.6[.063]	A-ACC-ARG-105	
1/2" UNEF	13[.512]	18[.709]	1.7[.067]	A-ACC-ARG-130	
5/8" UNEF	17[.669]	24[.945]	2.1[.083]	A-ACC-ARG-170	

Tornilleria
tuerca para conector

Fastening screw
connector nut



THREAD (R) ROSCA (R)	A	e	ALFA'R CODE CÓDIGO ALFA'R
1/4" UNS	8 [.315]	2 [.079]	A-ACC-FEM-1/4X20
3/8" UNEF	12 [.472]	2.2 [.087]	A-ACC-FEM-3/8X22
1/2" UNEF	16 [.623]	2.2 [.087]	A-ACC-FEM-1/2X22
5/8" UNEF	19 [.748]	3.5 [.138]	A-ACC-FEM-5/8X35

tuerca torneada
(DIN-934)

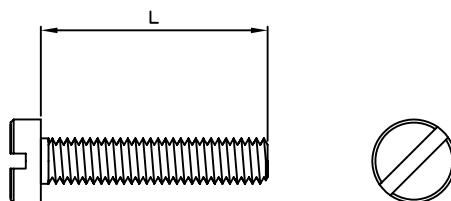
turned nut
(DIN-934)



MATERIAL MATERIAL	THREAD ROSCA	ALFA'R CODE CÓDIGO ALFA'R	NOTE NOTA
Cu Zn	M-2	A-ACC-FEM-M2	<i>nickel plated</i> niquelado
	M-2.5	A-ACC-FEM-M2.5	
	M-3	A-ACC-FEM-M3	
	M-3.5	A-ACC-FEM-M3.5	
	M-4	A-ACC-FEM-M4	

tornillo torneado (DIN-84)
material Cu Zn + Ni

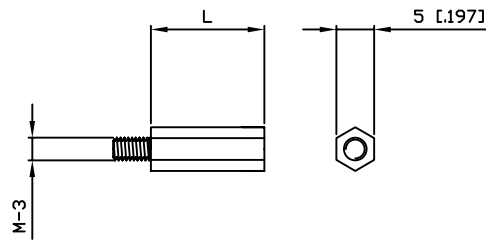
turned screw (DIN-84)
Cu Zn + Ni material



L (m/m)	THREAD ROSCA				
	M-2	M-2.5	M-3	M-3.5	M-4
3	A-ACC-CRG-M2X3	A-ACC-CRG-M2.5X3			
4	A-ACC-CRG-M2X4	A-ACC-CRG-M2.5X4	A-ACC-CRG-M3X4		
5	A-ACC-CRG-M2X5	A-ACC-CRG-M2.5X5	A-ACC-CRG-M3X5	A-ACC-CRG-M3.5X5	A-ACC-CRG-M4X5
6	A-ACC-CRG-M2X6	A-ACC-CRG-M2.5X6	A-ACC-CRG-M3X6	A-ACC-CRG-M3.5X6	A-ACC-CRG-M4X6
8	A-ACC-CRG-M2X8	A-ACC-CRG-M2.5X8	A-ACC-CRG-M3X8	A-ACC-CRG-M3.5X8	A-ACC-CRG-M4X8
10	A-ACC-CRG-M2X10	A-ACC-CRG-M2.5X10	A-ACC-CRG-M3X10	A-ACC-CRG-M3.5X10	A-ACC-CRG-M4X10
12	A-ACC-CRG-M2X12	A-ACC-CRG-M2.5X12	A-ACC-CRG-M3X12	A-ACC-CRG-M3.5X12	A-ACC-CRG-M4X12
15	A-ACC-CRG-M2X15	A-ACC-CRG-M2.5X15	A-ACC-CRG-M3X15	A-ACC-CRG-M3.5X15	A-ACC-CRG-M4X15
18	A-ACC-CRG-M2X18	A-ACC-CRG-M2.5X18	A-ACC-CRG-M3X18	A-ACC-CRG-M3.5X18	A-ACC-CRG-M4X18
20	A-ACC-CRG-M2X20	A-ACC-CRG-M2.5X20	A-ACC-CRG-M3X20	A-ACC-CRG-M3.5X20	A-ACC-CRG-M4X20
25		A-ACC-CRG-M2.5X25	A-ACC-CRG-M3X25	A-ACC-CRG-M3.5X25	A-ACC-CRG-M4X25
30			A-ACC-CRG-M3X30	A-ACC-CRG-M3.5X30	A-ACC-CRG-M4X30
35				A-ACC-CRG-M3.5X35	A-ACC-CRG-M4X35
40					A-ACC-CRG-M4X40

separador circuito
impreso (hex.)

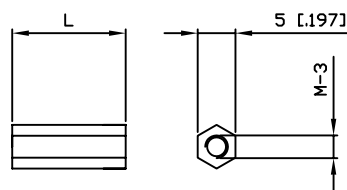
*printed circuit board
spacer (hex.)*



NOTE NOTA	L	ALFA'R CODE CÓDIGO ALFA'R	MATERIAL MATERIAL
<i>male-female</i> macho-hembra	5 [.197]	A-ACC-SMF-M3X5	Cu Zn + Ni
	6 [.236]	A-ACC-SMF-M3X6	
	8 [.315]	A-ACC-SMF-M3X8	
	10 [.394]	A-ACC-SMF-M3X10	
	12 [.472]	A-ACC-SMF-M3X12	
	14 [.551]	A-ACC-SMF-M3X14	
	15 [.591]	A-ACC-SMF-M3X15	
	18 [.709]	A-ACC-SMF-M3X18	
	20 [.787]	A-ACC-SMF-M3X20	
	22 [.866]	A-ACC-SMF-M3X22	
	25 [.984]	A-ACC-SMF-M3X25	
	30 [1.181]	A-ACC-SMF-M3X30	
	35 [1.378]	A-ACC-SMF-M3X35	
	40 [1.575]	A-ACC-SMF-M3X40	
45 [1.772]	A-ACC-SMF-M3X45		
50 [1.969]	A-ACC-SMF-M3X50		

separador circuito
impreso (hex.)

*printed circuit board
spacer (hex.)*



NOTE NOTA	L	ALFA'R CODE CÓDIGO ALFA'R	MATERIAL MATERIAL
<i>female-female</i> hembra-hembra	5 [.197]	A-ACC-SFF-M3X5	Cu Zn + Ni
	6 [.236]	A-ACC-SFF-M3X6	
	10 [.394]	A-ACC-SFF-M3X10	
	12 [.472]	A-ACC-SFF-M3X12	
	15 [.591]	A-ACC-SFF-M3X15	
	18 [.709]	A-ACC-SFF-M3X18	
	20 [.787]	A-ACC-SFF-M3X20	
	25 [.984]	A-ACC-SFF-M3X25	
	30 [1.181]	A-ACC-SFF-M3X30	
	35 [1.378]	A-ACC-SFF-M3X35	